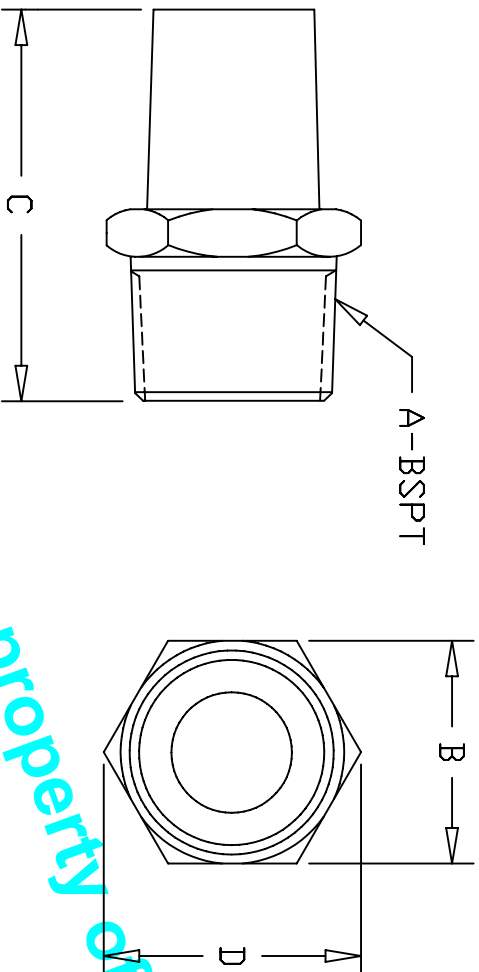


MODEL	PART NO.	A BSPT	B HEX	C	D
P18	0556018	.12	.43	.84	.50
P28	0556028	.25	.56	1.20	.65
P38	0556038	.37	.68	1.45	.81
P48	0556048	.50	.87	1.89	1.03
P68	0556068	.75	1.06	2.12	1.25
P88	0556088	1.00	1.31	2.84	1.53
P108	0556108	1.25	1.68	3.43	1.96
P128	0556128	1.50	2.00	4.00	2.31
P168	0556168	2.00	2.37	4.75	2.75



This drawing is the property of Allied Witan Company

ALLIED WITAN CO.

CLEVELAND, OH

SCALE: -

LIBRARY

DRAWN BY: DAN M.

DATE: 1-26-93

C:\ACAD\0556XSXT

REVISED: 8/23/96

TYPE PM SINTERED POROUS METAL FILTER  
BRITISH PIPE THREAD

STD P-- TYPE FILTER MUFFLER 40M

DRAWING NUMBER  
EDP-0556(P)