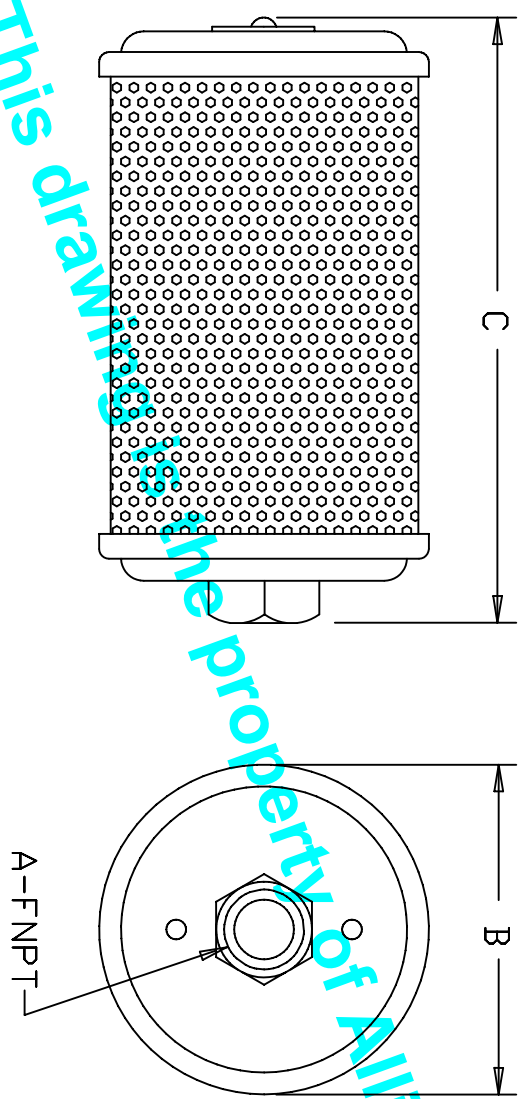


DIMENSIONS

MODEL	PART NO.	A	B	C
R01	0412001	.12	1.84	2.81
R02	0412002	.25	1.84	4.03
R00	0412000	.37	2.59	4.62
R05	0412005	.50	3.15	5.56
R07	0412007	.75	3.40	6.75
R10	0412010	1.00	3.90	7.96
R12	0412012	1.25	3.90	8.03
R15	0412015	1.50	5.25	12.56
R20	0412020	2.00	5.25	17.81



This drawing is the property of Allied Witan Company

ALLIED WITAN CO.
CLEVELAND, OH

LIBRARY DRAWN BY: DAN M.

SCALE: - DATE: 3-9-94 C:\ACAD\0412XXXT REVISED: 8/26/96

ATOMUFFLER LATERAL-RADIAL FLOW
RELIEF VALVE MUFFLER-TYPE RV

STD R-- TYPE RELIEF VALVE MUFFLER DRAWING NUMBER EDP-0412(R)