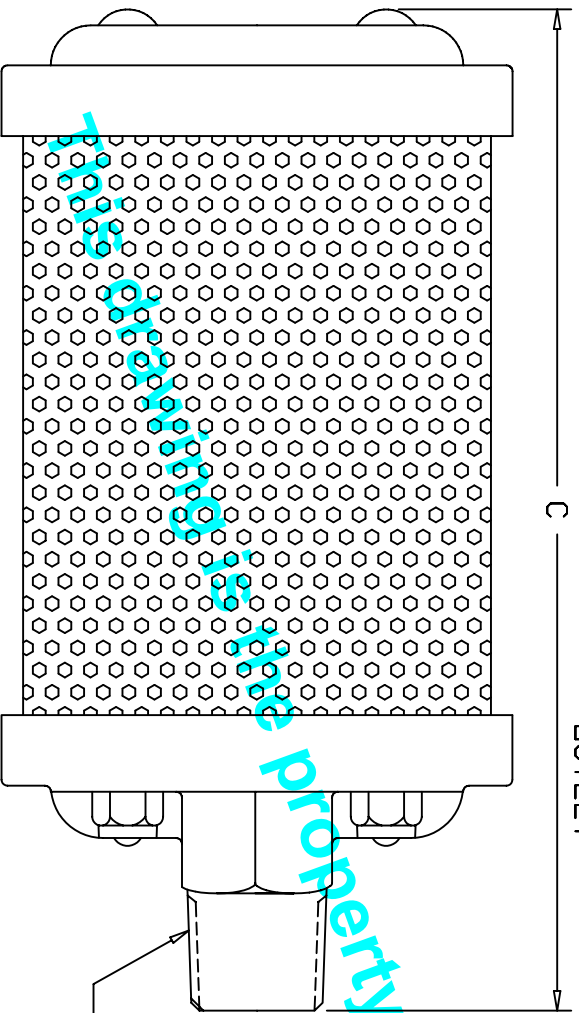
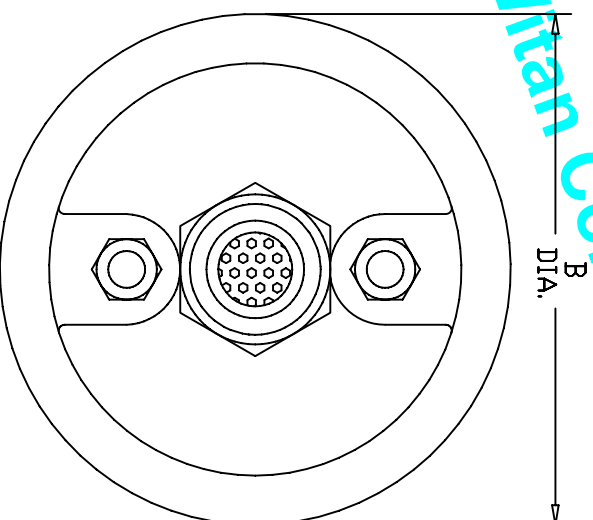


OUTLET



A-BSPT



INLET

DIMENSIONS				
MODEL	PART NO.	A	B	C
D20	0324020	2.00	5.25	18.87
D15	0324015	1.50	5.25	13.56
D12	0324012	1.25	3.90	8.75
D10	0324010	1.00	3.90	8.75
D07	0324007	.75	3.40	7.18
D05	0324005	.50	3.15	6.00
D00	0324000	.37	2.59	5.12
D02	0324002	.25	1.84	4.37
D01	0324001	.12	1.84	3.12

ALLIED WITAN CO.

CLEVELAND, OH

L I B R A R Y

DRAWN BY: DAN M.

SCALE: -
DATE: 3/10/95

C:\ACAD\0324XXXT
REVISED: 8/21/96

ATOMUFFLER-RADIALATERIAL FLOW
DAMPER PULSATIION SNUUBER MUFFLER/BSPT

STD D-- ATOMUFFLER/TYPE D-S11

DRAWING NUMBER
0324XXX

This drawing is the property of Allied Witan Company