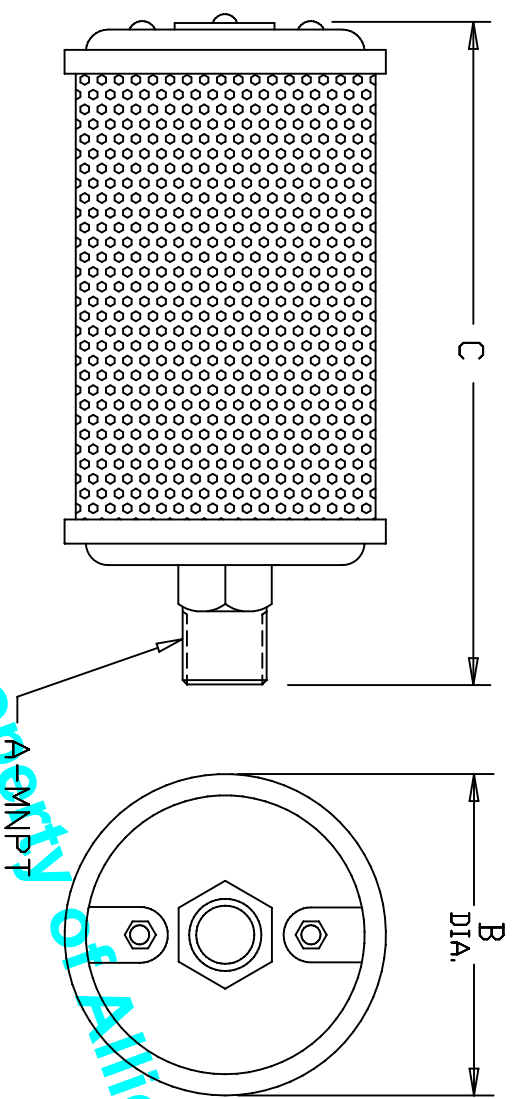


DIMENSIONS

MODEL	PART NO.	A	B	C
P01	0316001	.12	1.84	3.12
P02	0316002	.25	1.84	4.37
P00	0316000	.37	2.59	5.12
P05	0316005	.50	3.15	6.00
P07	0316007	.75	3.40	7.18
P10	0316010	1.00	3.90	8.75
P12	0316012	1.25	3.90	8.75
P15	0316015	1.50	5.25	13.56
P20	0316020	2.00	5.25	18.87



This drawing is the property of Allied Witan Company

ALLIED WITAN CO.
CLEVELAND, OH

SCALE: -	LIBRARY	DRAWN BY: DAN M.
DATE: 3-3-94	C:\ACAD\0316XXXT	REVISED: 8/20/96

ATDMUFFLER LATERAL-RADIAL FLOW
HIGH PRESSURE-MUFFLER-TYPE PH

STD P-- HIGH PRESSURE MUFFLER	DRAWING NUMBER
	EDP-0316(P)