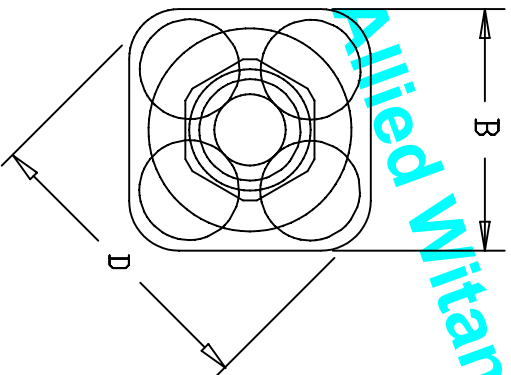
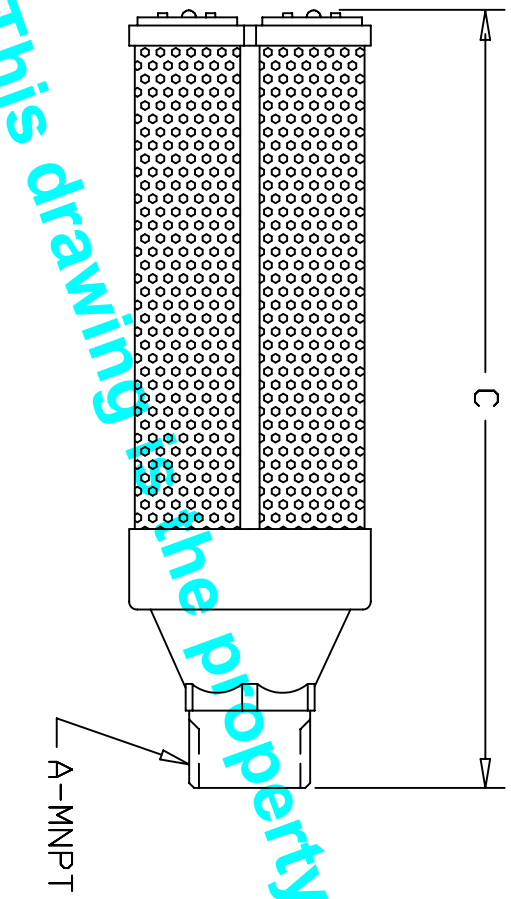


DIMENSIONS					
MODEL	PART NO.	A	B	C	D
P60	0316060	6.00	10.93	30.93	13.12
P40	0316040	4.00	7.81	23.56	9.37
P30	0316030	3.00	6.87	22.93	8.25



ALLIED WITAN CO.

CLEVELAND, OH

SCALE: -

LIBRARY

DRAWN BY: DAN M.

DATE: 3-3-94

C:\ACAD\0316XLXT REVISED: 8/26/96

ATOMUFFLER-LATERAL-RADIAL FLOW
HIGH PRESSURE MUFFLER-TYPE PH

STD P-- TYPE HIGH PRESSURE MUFFLER

DRAWING NUMBER

EDP-0316(P)