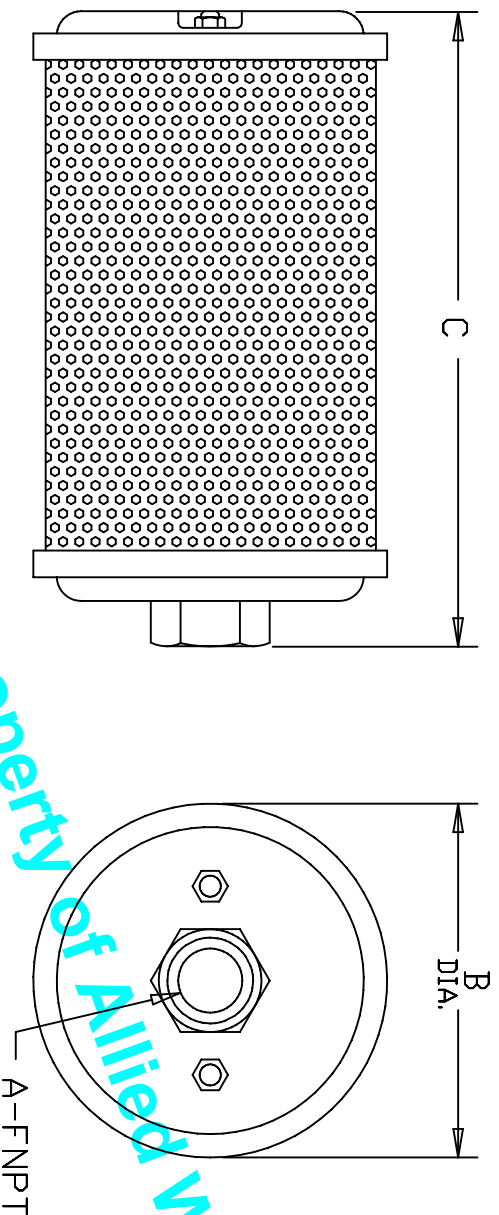


DIMENSIONS

MODEL	PART NO.	A	B	C
V01	0212001	.12	1.84	2.81
V02	0212002	.25	1.84	4.00
V00	0212000	.37	2.59	4.56
V05	0212005	.50	3.15	5.50
V07	0212007	.75	3.40	6.68
V10	0212010	1.00	3.90	7.92
V12	0212012	1.25	3.90	8.00
V15	0212015	1.50	5.25	12.50
V20	0212020	2.00	5.25	17.75



This drawing is the property of Allied Wipac Company

ALLIED WITAN CO.  
CLEVELAND, OH

SCALE: -	LIBRARY	DRAWN BY: DAN M.
DATE: 3-2-94	C:\ACAD\0212\XXXT	REVISED: 2/12/97
ATOMUFFLER-LATERAL-RADIAL FLOW VACUUM PUMP ATOMUFFLER-TYPE VP		
STD V-- TYPE VACUUM PUMP MUFFLER	DRAWING NUMBER	EDP-0212(V)