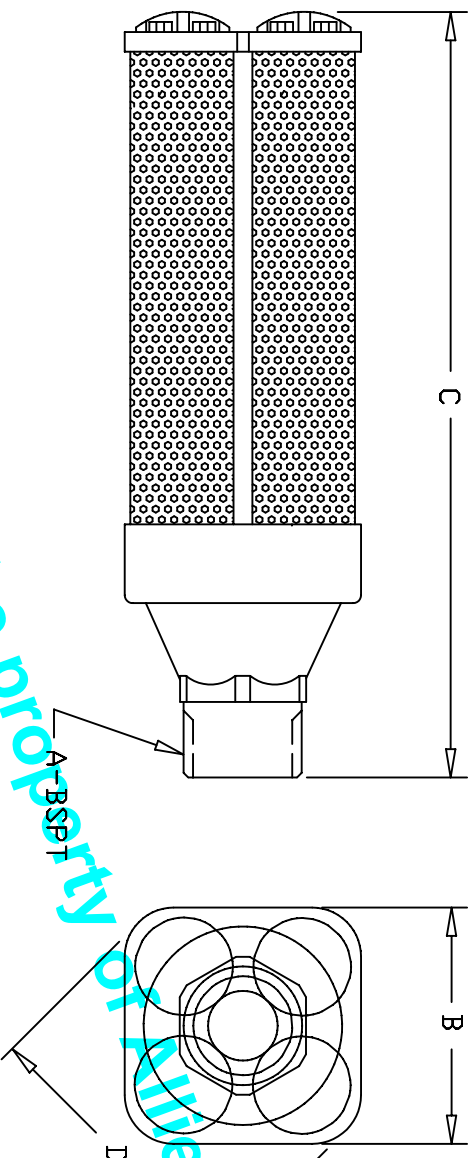


DIMENSIONS					
MODEL	PART NO.	A	B	C	D
B60	0121060	6.00	10.93	30.87	13.12
B40	0121040	4.00	7.81	23.50	9.37
B30	0121030	3.00	6.87	22.87	8.25



This drawing is the property of Allied Witan Company

ALLIED WITAN CO.
CLEVELAND, OH

SCALE: -	L I B R A R Y	DRAWN BY: DAN M.
DATE: 8-25-94	C:\ACAD\0121XLXT	REVISED: 8/19/96

TYPE EP
ATOMUFFLER-LATERAL-RADIAL FLOW
BRITISH PIPE THREAD

STD B-- AIR EXHAUST BSP T

DRAWING NUMBER
EDP-0121(B)